



FILTRATION SPECIFICATIONS

Filter: Model CR8 Filter Housing

The Rosedale Generation II filter housing incorporates a unique one piece, seamless body that handles flows to 100 gpm. It is rated to 100 psi at 150°F, and offers excellent resistance to corrosion.

FEATURES

- All molded construction
- 2-inch flat face flange connections
- Unistyle piping configuration (side and/or bottom outlet)
- Accepts all number 2 sized bags or Pleated Cartridges
- Wide selection of cover o-ring materials
- Easy cover and pressure thread with plug
- Hold down assembly

OPTIONS

- Cover vent and drain valve
- Duplex and multiplex arrangements available
- Leg assembly (stainless steel)
- Pressure differential instrumentation
- Convertible 700 Series Cartridge
- Also available in PVDF

DESIGN DETAILS

An easy to remove cover and basket make bag change-out quick, clean, and simple. No special tools are needed. The cover threads are external, and have no contact with the process fluids to prevent product accumulation. For extra strength, the cover features buttress-style threads. The housing is complete with a cover vent, drain, and gauge port connections. The gauge connections allow for the use of Rosedale differential pressure indicating equipment that assist in determining bag change-out. Its versatile unistyle design, side or bottom outlet, makes piping easy in any arrangement.



Plastic model base shown above. Also available for 700 Series Cartridges.

CONSTRUCTION

This durable, corrosion resistant design is constructed from special polymer compounds. The CR8 housing is molded of reinforced chemically coupled polypropylene homopolymer or PVDF. The addition of a UV stabilizer makes it suitable for outdoor use.



Model CR8 Housing Code - How to Order

CONFIGURE YOUR PART NUMBER (EXAMPLE: CR8-30-2F-*-100-P-B-C)



A	MODEL NUMBER	CODE
	CORROSIVE RESISTANT MODEL 8	CR8

B	HOUSING SIZE	CODE
	30 INCH	30

C	PIPE SIZE	CODE
	2-INCH FLAT FACE CLASS 150	2F

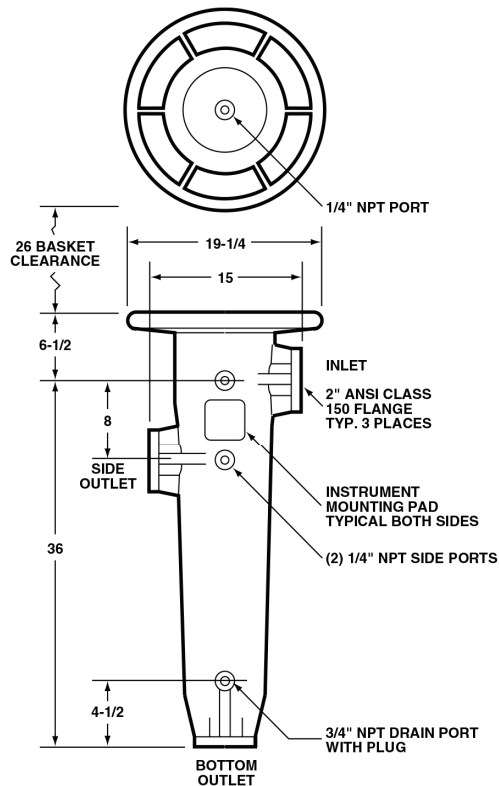
D	OUTLET STYLE	CODE
	SIDE / BOTTOM UNISTYLE	*

E	PRESSURE RATING	CODE
	100 PSI	100

F	HOUSING MATERIAL	CODE
	POLYPROPYLENE	P
	PVDF	K

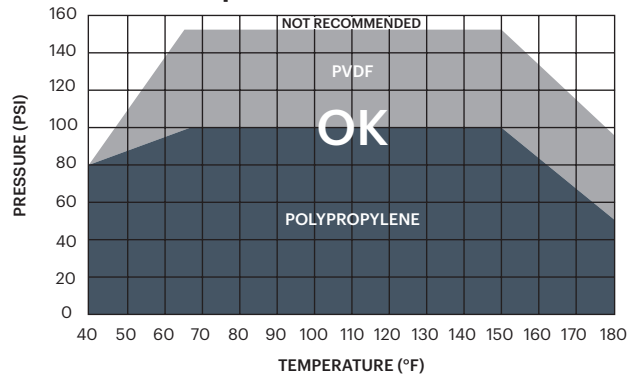
G	COVER SEAL	CODE
	BUNA N	B
	ETHYLENE PROPYLENE	E
	FLUOROELASTOMER	V
	FKM / FEP	TEV

H	OPTION	CODE
	CONVERTIBLE (700 CARTRIDGE ADAPTER)	C



Dimensions are reference only and should not be used for hard plumbing. Consult factory for certified drawings.

Temperature vs. Pressure



NOTE: Not for use in conditions under 40°

TECHNICAL SPECIFICATIONS	
ELEMENT SIZE	NO. 2 SIZE ELEMENTS
PIPING CONNECTIONS	2" ANSI B16.5 FF FLANGE
HOUSING MATERIAL	GLASS-REINFORCED POLYPROPYLENE WITH UV STABILIZER OR PVDF
BASKET MATERIAL	NATURAL POLYPROPYLENE OR PVDF
RECOMMENDED CHANGE OUT	15 PSID
PRESSURE RATING	100 PSI @ 150°F
SHIPPING WEIGHT	50 LBS (APPROX)